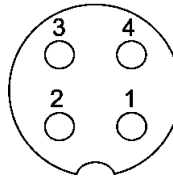
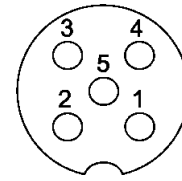




Mating faces



A-coding
4 poles
Mating faces acc. to IEC 61076-2-101



A-coding
5 poles



Applications / Advantages

- Designed for rough outdoor applications in harsh environments
- Material V4A
- Available with crimp resp. **HARAX®** rapid termination
- Extreme robust design, quick assembly

Identification

Part No.

Drawing

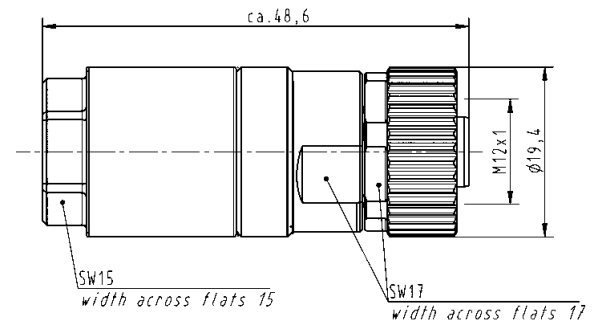
Dimensions in mm

HARAX® M12-L INOX



Female, A-coding,
straight version
4 poles

21 03 222 2435

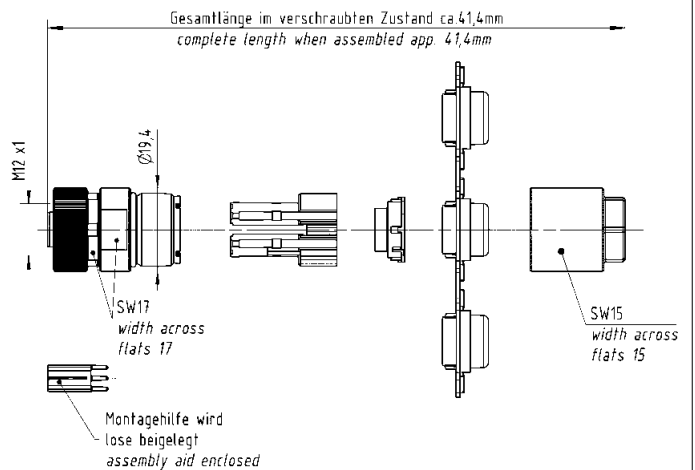


M12-L Crimp INOX



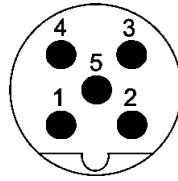
Female, A-coding,
straight version
5 poles

21 03 822 2535

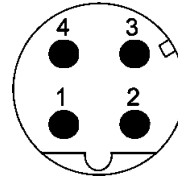




Mating faces



B-coding



D-coding

Mating faces acc. to IEC 61076-2-101



Identification

Part No.

Drawing

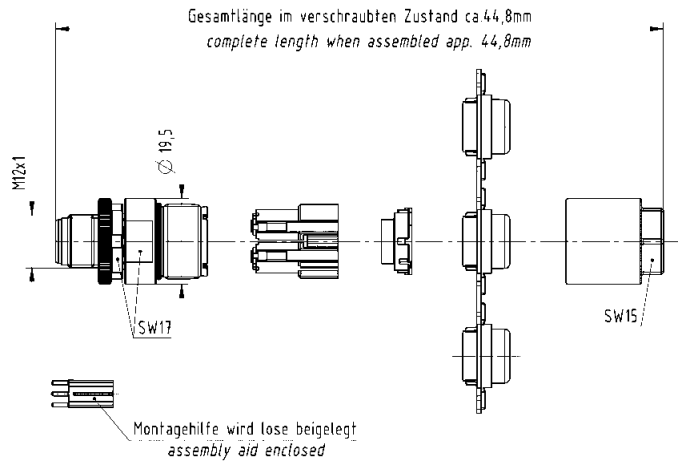
Dimensions in mm

M12-L Crimp INOX



Male, B-coding,
straight version
5 poles

21 03 841 1535



Male, D-coding,
straight version
4 poles

21 03 882 1435

