

Features

- Suitable for individual modules of the series Han-Modular® in control cabinets, distribution etc. as cable-to-cable connection
- Strain relief provided by cable ties (max. width: 5 mm)
- Optional fixing due to two drill holes on the strain relief flange
- Easy mounting and removal of the modules (see Han-Modular® removal tool)

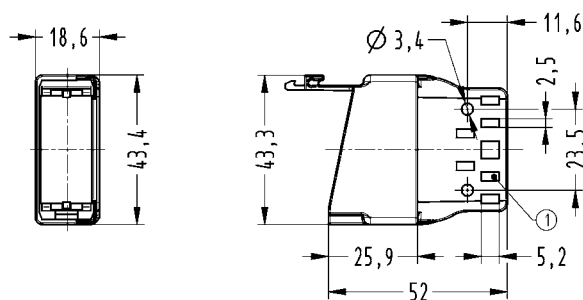
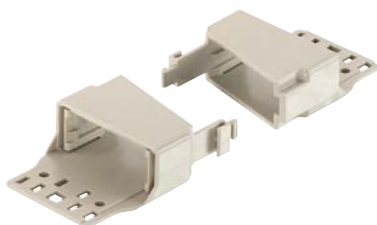
Identification

Part-Number

Depiction

Module clamp with strain relief *

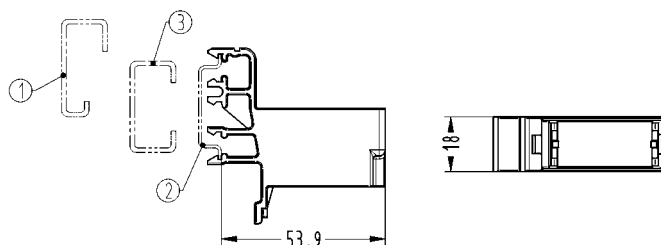
09 14 000 0312



1 For cable ties with max. 5 mm width

Module clamp for rail *

09 14 000 0313



- 1 G-rail DIN EN 60 715-G32
- 2 Rail DIN EN 60 715-35 x 7.5 with 1 mm thickness or -35 x 15 with 1.5 mm thickness
- 3 C-rail DIN EN 60 715-C30

*Delivery comprises one module clamp